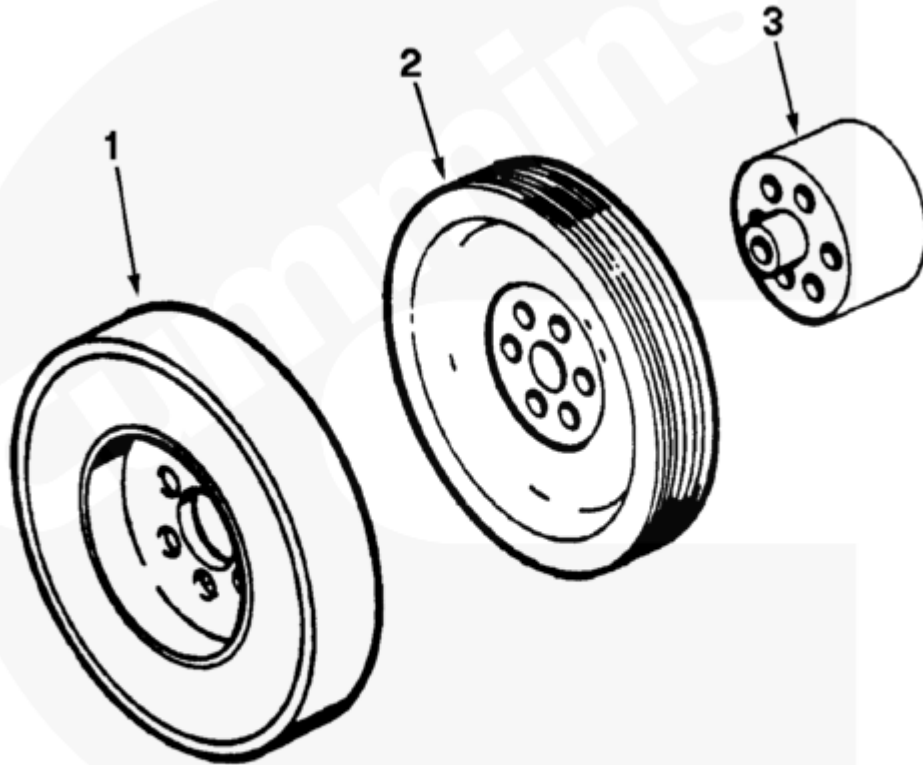




Parts Catalog - Option Detail

Electronic Parts Catalog - Option Detail				
Option	Group	Graphic	Film Card	Date
DA1165	01.02.2	da100gj	F	15-FEB-94
Engines	NH/NT 855, NT495, NT743, NTA855 N106			

©Cummins Inc



da100gj

[SMALL](#) | [MEDIUM](#) | [LARGE](#)

Cart	Ref No	Part Number	Part Description	Required	Remarks
View My Cart					
		DA1165	Vibration Damper		
					Vibration Damper
					Fabricated steel alternator
					driving crank pulley and

					large viscous damper. No
					power take off facility.
					Power take off can be added
					through selection of front
					power take off options.
					(DA1062 thru DA1069).
<input type="checkbox"/>	1	217323	Vibration Damper	1	
<input type="checkbox"/>	2	3064230	Crankshaft Pulley	1	
<input type="checkbox"/>	3	3036052	Crankshaft Adapter	1	

© 2019 Cummins Inc., Box 3005, Columbus, IN 47202-3005 U.S.A.
Terms of Use and Disclaimers | Recommended System Requirements
Need Assistance? Please click on the Contact Us button in the top right corner of any page.